

## PRODUCT DATA SHEET

### Kalifa Floor Comfort - Pole central - FLUO 4x55W dimmable - White



**DESIGN BY :**

Ernesto Gismondi

**MATERIALS :**

Aluminium

**DESCRIPTION :**

A range of floor lamps with direct-indirect lighting using fluorescent lamps. Optical unit and pole in extruded aluminium. Steel base. "COMFORT" diffuser is a 4mm thick screen-printed tempered glass. Light output ratio 40%. Light distribution: 83% indirect and 17% direct. Polycarbonate dust-protection screen. Complies with standard EN60598-1 and other specific standards.

**Light emission**

Direct/indirect



#### TECHNICAL DATA SHEET

**Features**

Product name: Kalifa Floor Comfort - Pole central - FLUO 4x55W dimmable - White  
 Article Code: M168021  
 Colour: White  
 Material: Aluminium  
 Series: Architectural  
 Environment: Indoor  
 Area contract:

**OPTICS**

Emission: Direct/indirect

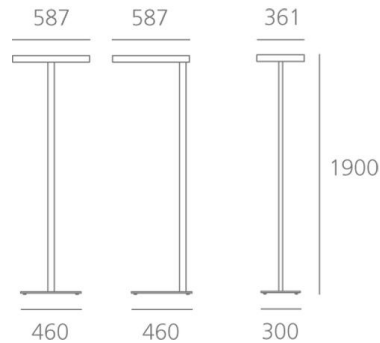
**DIMENSIONS**

Length: (cm) 58.7  
 Width: (cm) 36.1  
 Height: (cm) 190  
 Cutout shape:  
 Weight: 15

**LAMPS NOT INCLUDED**

Category: FLUO  
 Number: 4  
 Lbs: TC-LEL  
 Watt: 55  
 Socket: 2G11  
 Type: FSDH  
 Luminous Flux (lm): 4800  
 Colour Rendering: 85  
 Colour temperature (K): 3000  
 Duration (h): 12000

**Dimensions**

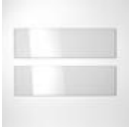


**LAMP**



**ELECTRICAL**

Starter: Electronic dimmable Integrated  
 Voltage: 220V-240V



KALIFA FLOOR -  
Polycarbonate dust-  
protection screen.  
M168200